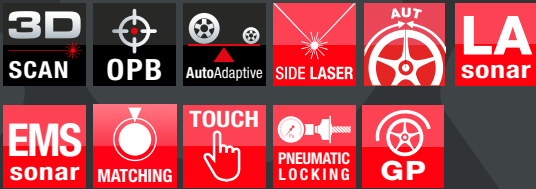


# ER90 EVO

TOUCHLESS  
FULLY AUTOMATIC  
BALANCING  
MACHINE

NO CHECK SPIN



# CEMB





# ER90 EVO

## FROM CEMB EXPERIENCE

- **ER90 EVO** balancer is the result of CEMB consolidated experience in the manufacturing of high technology garage and industrial balancers since 1946. Development and cooperation with the most important car and tyre manufacturers guarantee to the professionals in the garage equipment field:
- **Reliability**
- **Easy and quick use**
- **Accuracy**
- **Completely configurable**
- **Reduced cycle time!**

## INNOVATIVE DESIGN:

# ERGOFAST

- With **ER90 EVO**, CEMB widens its range of products **ERGOFAST**, maintaining the concepts of ergonomics and practicality together with the original design
- **WBA Wheel Best Access**  
Wide space to work inside the rim
- Innovative touch screen
- Ergonomic tool positioning **CLOSE AT HAND!**

## PNEUMATIC LOCKING



CEMB PATENT

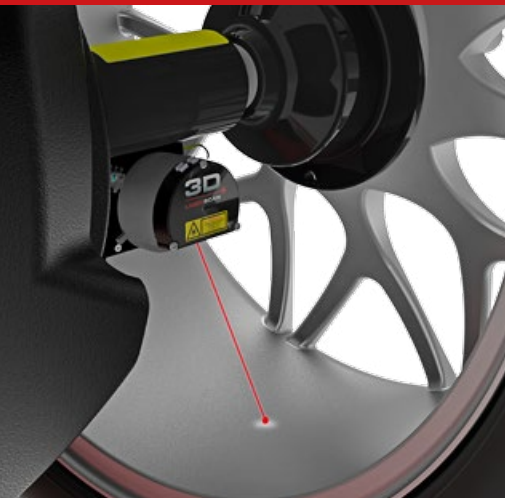


CEMB PATENT

## CORE OF TECHNOLOGY

- **3D Laser Scan** - Extraordinary accuracy and speed in 3D acquisition of wheel sizes with exact positioning of adhesive weights
- **OPB One Plane Balancing** - Correction of both static and dynamic unbalance on one plane at once and with only one weight
- **AutoAdaptive Mode** - The new tolerance calculation system
- **Automatic rotation** of the wheel in weight position
- **Side Laser** - Line laser indicator on the upper part of the wheel to ease the application of clip-on weights in the exact position
- **Sonar LA** for automatic measurement of the wheel width **CEMB PATENT**
- **Sonar EMS** (1st Harmonic and Peak to Peak) Automatic and quick eccentricity measurement during the normal balancing cycle
- **Direct Matching** - Visualization of the best possible matching to reduce eccentricity
- **ALU-S Balancing mode** - Adhesive weights on the internal rim planes with specific counterweight position indicator (position repeater)
- **Led light** to illuminate the working space inside the rim
- **Tyre Set** - The software indicates the best wheel positioning on the vehicle to get the best ride (conicity) and to minimize wheel vibrations (eccentricity)
- **Pneumatic wheel locking CEMB PATENT**  
Floor to floor time reduction / Extremely easy and quick to use / Very accurate wheel centering
- **VDD Virtual Direct Drive** - Very quick and maintenance free measurement system **CEMB PATENT**

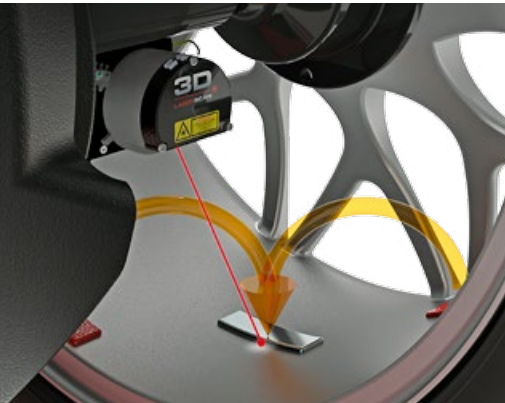




## 3D Laser Scan

EXTREME MEASURING PRECISION AND FASTER WEIGHT APPLICATION

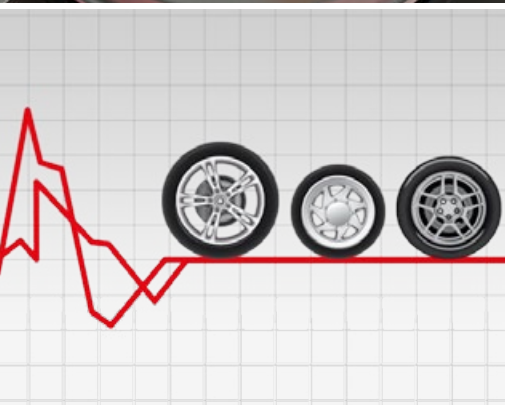
- Touchless wheel distance and diameter measuring system which, combined with the external radial laser for width measurement, detects with 3D precision the dimensions of any profile, even the most complex; no intervention of the operator.
- Advanced technology that speeds up the dimensions reading process without penalizing reliability and precision.
- Brighter laser pointer that grants an extreme accuracy during correction thanks to a clear indication of the application point for stick-on weights.
- Greatest robustness for a long lasting usage. No moving parts are exposed, risks of damages are reduced.
- Easy maintenance.



## One Plane Balancing

WHERE INNOVATION MEETS SIMPLICITY

- **OPB** (One Plane Balancing), eliminates both static and dynamic unbalance with a single counterweight, indicating the exact position to apply the weight inside the rim. The balancer automatically detects if it is possible to correct both unbalances with only one weight and activates **OPB program**. A real revolution in wheel balancing. **OPB** saves you time while maximizing your productivity.



## AutoAdaptive Mode

THE NEW TOLERANCE CALCULATION SYSTEM

- The innovative tolerance calculation system **AutoAdaptive Mode** is based on the evaluation of the residual imbalance limit value corresponding to an acceptable perceived vibration. For each wheel that is balanced, the software **AutoAdaptive Mode** detects weight and dimensions and calculates the tolerance value that will cancel any vibration perceived on the steering wheel. **AutoAdaptive Mode** grants the highest comfort when driving, and together with **OPB program**, saves balancing time.

## STANDARD ACCESSORIES

In 1952 Cemb created the cone adapters for balancing machines and since then the company continued developing and producing high precision centering systems for any type of wheel. **Cemb does not recommend the use of non-original adapters on its balancing machines.**

Standard equipment UC20/SE2 composed of: SE kit, 4 cones Kit and WDC gauge



PNEUMATIC LOCKING



41FF034417  
**SE Kit** (ring, quick locking sleeve SE2, SE spacer)



41FF030594  
**4 cones kit** Ø 45÷110 mm, pincer-hammer and 60 g. counterweight



46FC77653  
**Width gauge**

## OPTIONAL ACCESSORIES - Especially designed for car manufacturers



**RL CUP** 41FF79255

**UH20/2** 41FF42048

**PEUGEOT-CITROËN KIT** 41FF73171

**VL/2 CONE + G36 DISC** 41FF86174

**SR4/SE - SR5/SE - SR5/2/SE SR/USA/SE**

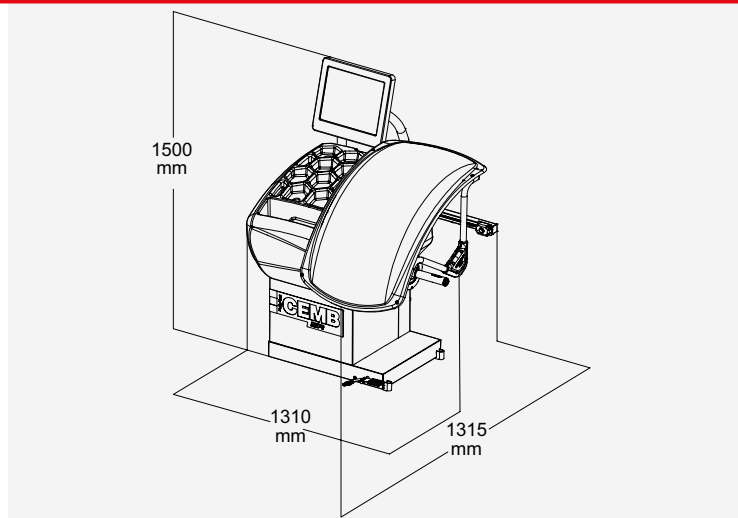
**RENAULT KIT** 41FF77152

**MT CONE** 40FF57321

**MERCEDES KIT** 41FF88003

FOR MORE INFORMATION SEE THE COMPLETE BROCHURE ON THE WEB SITE

[www.cemb.com](http://www.cemb.com)

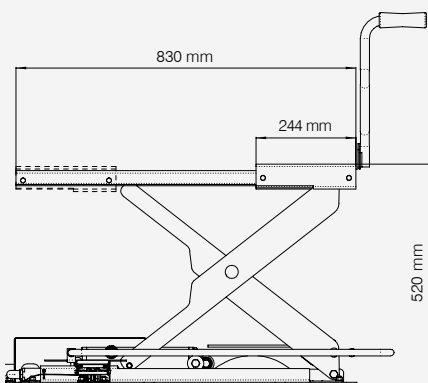


Single phase power supply	115 / 230 V 50/60 Hz
Max. absorbed power	0,15 kW
Balancing speed	100 rpm
Measuring cycle for 15 kg (33 lb) wheel	4.7 s
Measurement uncertainty	0,5 g
Average noise	< 70 dB (A)
Rim width setting range	1.5" ÷ 20" / 40 ÷ 510 mm
Rim diameter setting range	10" ÷ 30" / 265 ÷ 765 mm
Min./Max. compressed air pressure	7 ÷ 10 kg/cm <sup>2</sup>
	~ 0.7 ÷ 1 MPa
	~ 7 ÷ 10 bar
	~ 105 ÷ 145 psi
Max. wheel weight	< 75 kg
Machine weight	170 kg



## Zero Weight Lift

OPTION TO REDUCE ANY EFFORT



For more information see the complete brochure on the web site [www.cemb.com](http://www.cemb.com)

Wheel loading and removal without effort or adjustment

- **PERFECT CENTERING**  
Wheel automatic lifting  
Ideal centering and more accurate balancing
- **QUICK**  
Quicker than any other traditional lift  
A single pedal controls the whole working cycle
- **AUTOMATIC**  
Electronic system with PLC
- **UNIVERSAL**  
Applicable to any CEMB balancing machine



# CEMB

BALANCING MACHINES

CEMB S.p.A.

Via Risorgimento, 9  
23826 Mandello del Lario (LC) - Italy

[www.cemb.com](http://www.cemb.com)



Garage equipment division

CEMB - ITALY

Plant and Training Center

Phone +39 0341 706111

[garage@cemb.com](mailto:garage@cemb.com)