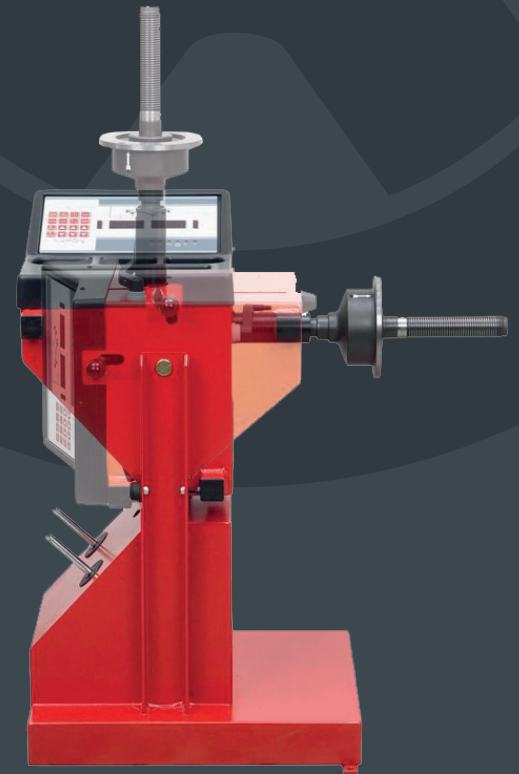


www.cemb.com

C29Tilt

DIGITAL
BALANCING MACHINE
WITH TILT SHAFT



A hand-spin wheel balancer with digital display for car wheels, particularly suitable for mobile service thanks to the space-saving solution by folding away the wheel shaft into the center



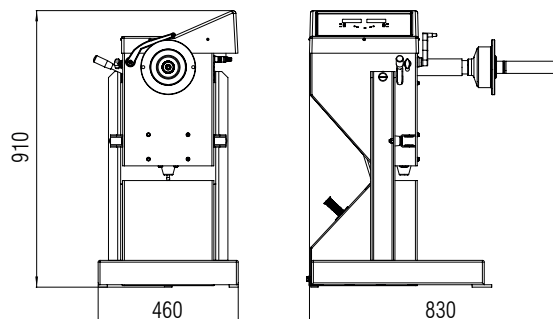
CEMB

C29Tilt

CORE OF TECHNOLOGY

- Microprocessor-based manual spin balancing machine (without motor)
- C29Tilt can balance steel and light alloy wheels of cars, light commercial vehicles, motorcycles and scooters with the same high accuracy like the models with motor
- Self-diagnosis and self-calibration
- Menu program for the quick selection of the following options: reading in grams or ounces, measure in millimetres or inches, unbalance visualization in step of 5 g or 1 g
- Software programs for the professionals: SPLIT, OPT, ALU
- Twin operator program
- The tilt shaft, the compact dimensions, the weight and the triple power supply (mains or 12V or 24V d.c. battery) ease its transport and make C29Tilt particularly suitable for mobile service

Single phase power supply	115 / 230 V 50/60 Hz
Max. absorbed power	0,15 kW
Balancing speed	100 rpm
Measuring cycle for 15 kg (33 lb) wheel	4.7 s
Measurement uncertainty	1 g
Average noise	< 70 dB (A)
Rim width setting range	1.5" ÷ 20" / 40 ÷ 510 mm
Rim diameter setting range	10" ÷ 30" / 265 ÷ 765 mm
Max. wheel weight	< 75 kg
Machine weight	110 kg



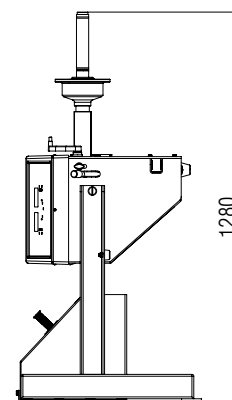
STANDARD ACCESSORIES

UC20/2 GLM40 41FF83150



MANUAL LOCKING

Standard adapter set with 3 cones, $\varnothing 45 \div 110$ mm and quick locknut with handwheel GLM40. Wight gauge, pincer hammer and 60 g counterweight.



CEMB

BALANCING MACHINES

CEMB S.p.A.

Via Risorgimento, 9
23826 Mandello del Lario (LC) - Italy

www.cemb.com



Garage equipment division

CEMB - ITALY

Plant and Training Center

Phone +39 0341 706111

garage@cemb.com

All the data and features mentioned in this catalogue are purely for information and do not constitute any commitment on the part of our company, which reserves the right to make any and all alterations it may consider suitable without notice.